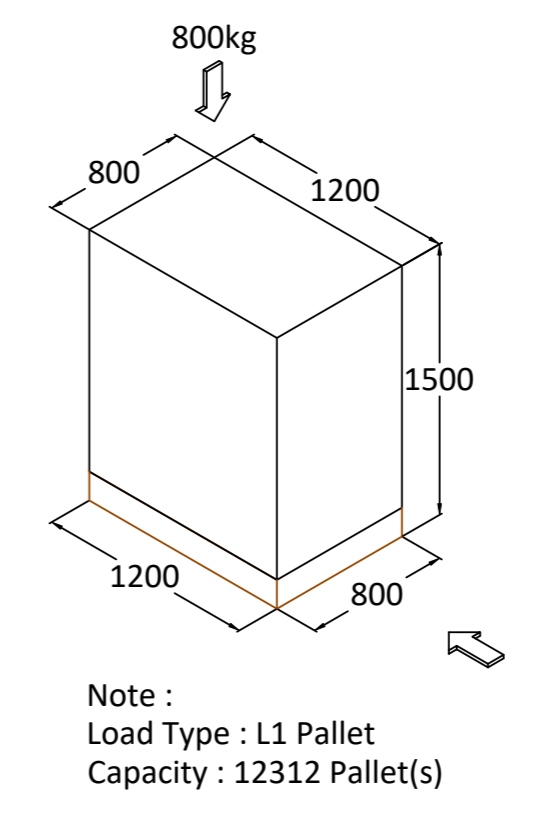
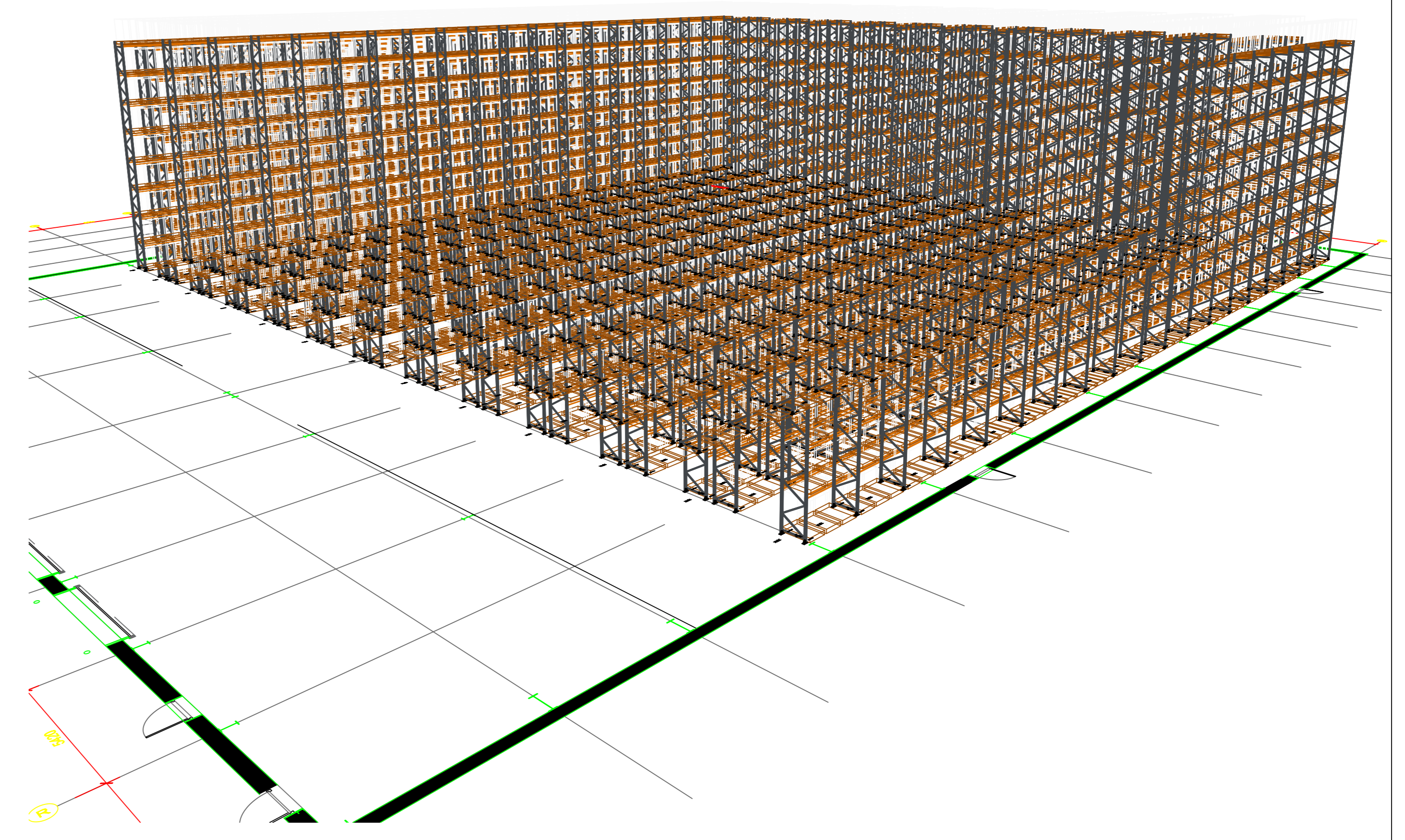
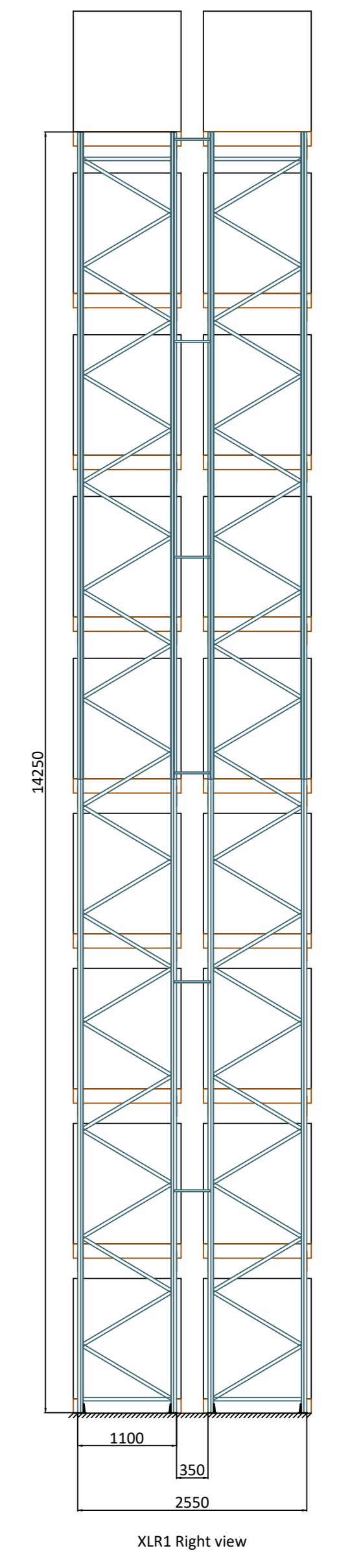
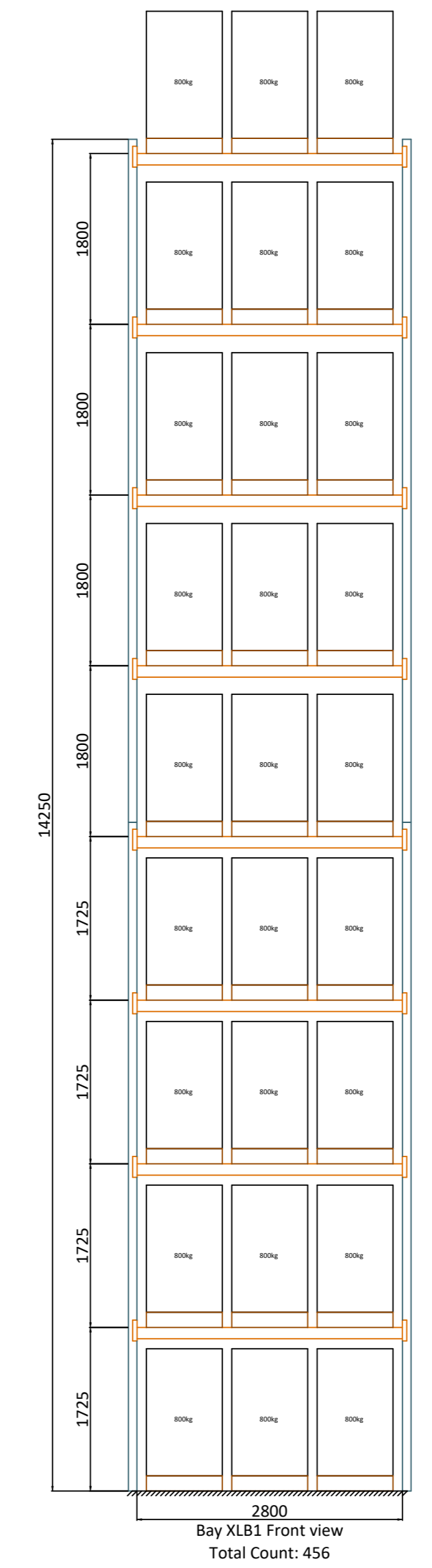
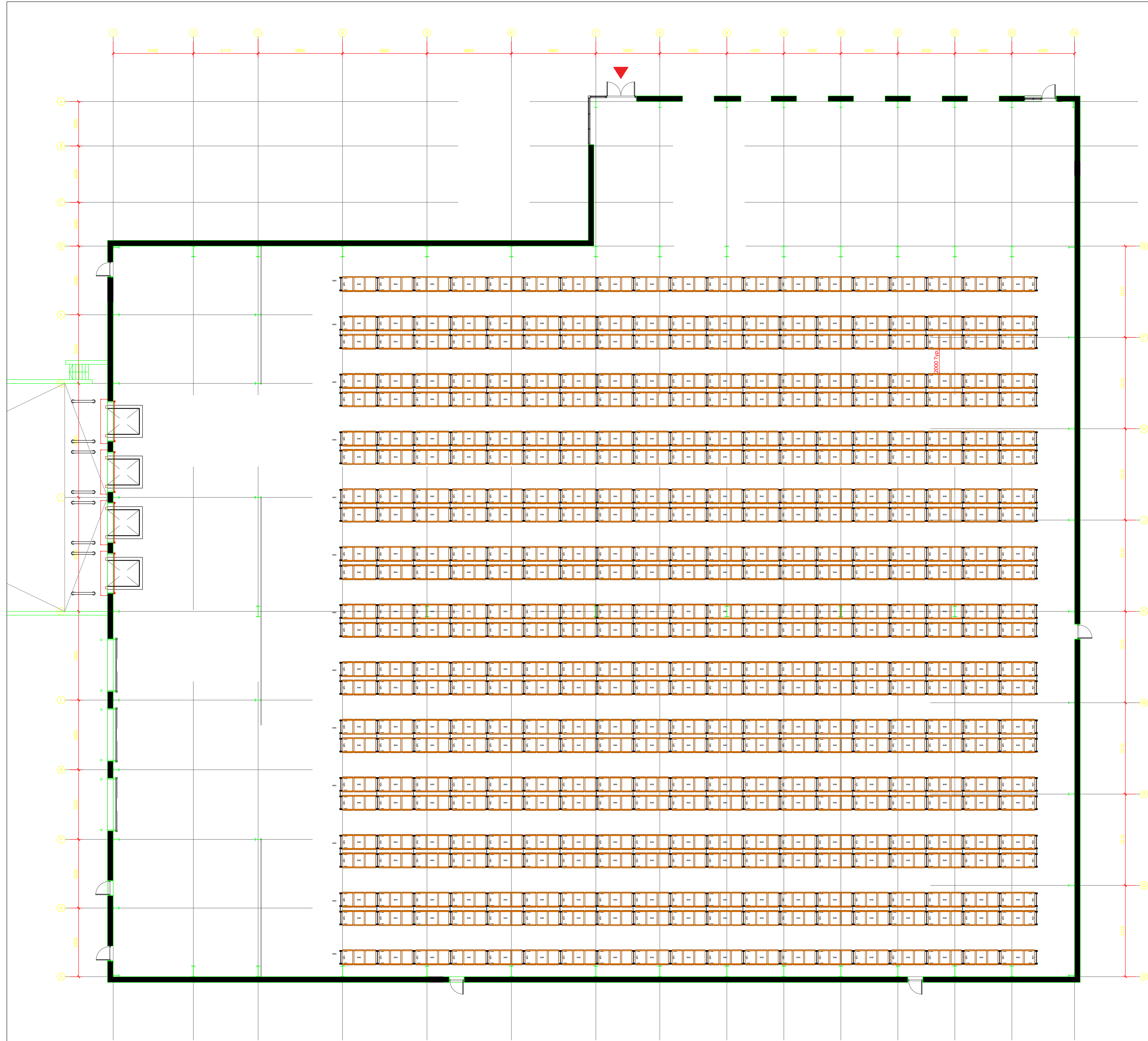


Note :  
Load Type : L1 Pallet  
Capacity : 10260 Pallet(s)

<small>Whittan Group Link House, Northfield, A, Telford, TF1 2BL, United Kingdom www.whittan.com T: +44 (0)1902 462 251</small>			
Rev No.	Date	Sign	Description
Wide Aisle Pallet Racking Layout for: Lambert Smith Hampton Site - Park Royal			
Drawn By	Checked By	Date	Drawing and Control Number
DO NOT SCALE	AM	06/04/2015	A0
			D360-41707-00329-00



Note :  
Load Type : L1 Pallet  
Capacity : 12312 Pallet(s)

<small>Whittan Group Link House, Northfield, A. Telford, TF7 2BL, United Kingdom www.whittan.com T: +44 (0)1902 462 251</small>			
Rev No.	Date	Sign	Description
This Drawing remains the property of Whittan Group ©			
<b>Narrow Aisle Pallet Racking Layout for:</b> <b>Lambert Smith Hampton Site - Park Royal</b>			
SCALE: DO NOT SCALE	Drawn By: AMP	Checked By: OJ/MS/2015	Date: AO
			Drawing and Control Number: <b>D360-41707-00329-01</b>